

Technical Information

No. 5040

Edition: 08/05 - subject to change

Substitutes: Edition 11/04

Status: valid

Xenon Short Arc Lamp

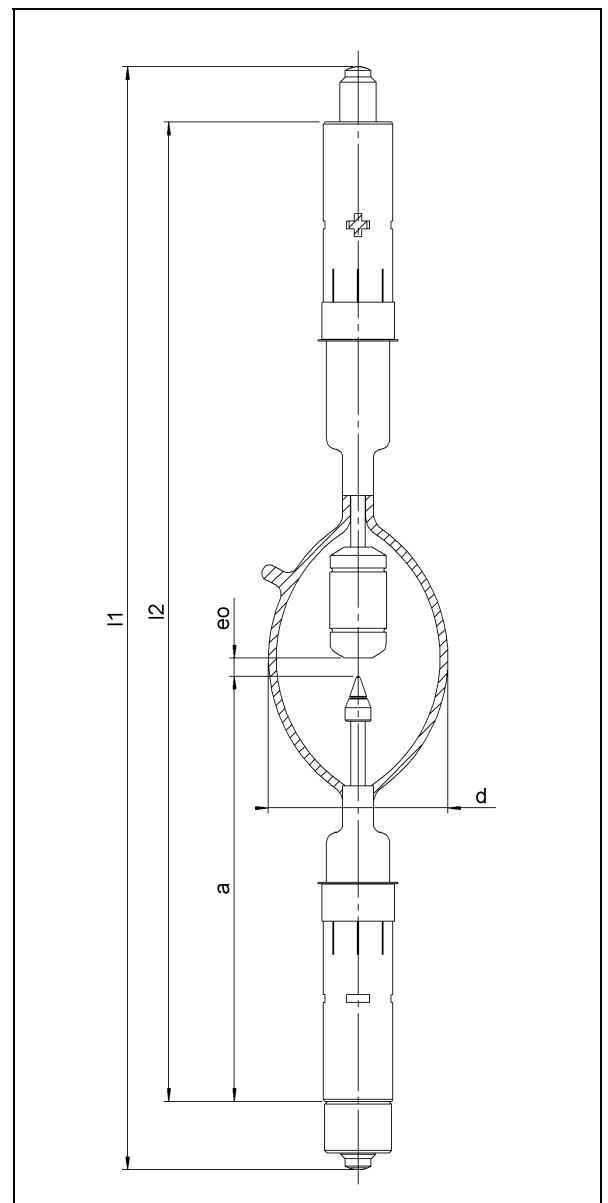
XBO[®] 4500 W/HTP OFR

■ Product description

The OSRAM XBO[®] 4500 W/HTP OFR is a DC-operated lamp that is especially suited for applications requiring excellent arc stability and a high luminance. The OSRAM XBO[®] 4500 W/HTP OFR is designed for horizontal burning position (H = horizontal, TP = threaded pin).

■ Technical data

Order reference	XBO [®] 4500 W/HTP OFR	
Rated lamp wattage	W	4500
Rated lamp voltage	V	32
Rated lamp current (=)	A	135
Current control range	A	80 - 150
Ignition voltage	kV _s	36
Min. open circuit voltage for cold / hot ignition	V	85 / 110
Luminous flux	lm	190000
Luminous intensity	cd	22000
Average luminance	cd/cm ²	105000
Luminous area w x h *)	mm	1.9 x 6.0
Electrode gap e (cold)	mm	7.0
Lamp length (overall) l ₁	mm	max. 433
Lamp length l ₂	mm	max. 382
LCL	a	mm 165
Bulb diameter	d	mm 70
Average service life	h	1500
Warranty	h	1000
Base	Cathode:	SFc 27-14
	Anode:	SFa 27-14



*) w = luminance half width value; h = height of luminance area (corresponds to electrode gap, hot)

■ Lamp operation

Maximum permissible base temperature	230 °C
Cooling	forced cooling / fan
Min. air flow velocity around discharge vessel	6 m/s
Magnetic arc stabilization	necessary for horizontal operation
Burning position	s 15 (vertical ± 15° ; anode up) ; p 15 (horizontal ± 15°)