



Whatever your taste

DULUXTRONIC® – electronic control gear
with integrated lampholder

SEE THE WORLD IN A NEW LIGHT

OSRAM





Innovative components for new designs, greater economy and electronic lighting comfort: **DULUXTRONIC®** from OSRAM

The compact dimensions and wide variety of shapes in the **DULUXTRONIC®** range make it easier than ever to incorporate all the benefits of electronic operation in modern luminaires for compact fluorescent lamps and the circular **FC® 22 W** fluorescent lamp.

Super-compact unit comprising ECG and holder in a variety of shapes

DULUXTRONIC® units are innovative electronic control gears with integrated lampholders for compact fluorescent lamps and the circular **FC® 22 W** fluorescent lamp. **DULUXTRONIC®** gives designers the freedom to develop new, more compact luminaires that can be assembled with a minimum of effort. There are seven different geometrical variants so you can always find the right ECG for whatever type of luminaire and whatever area of application.

Save time and money in producing and upgrading luminaires

The all-in-one **DULUXTRONIC®** ECG minimises the wiring in the luminaire and can be installed quickly and easily. The time and cost of manufacturing luminaires is therefore considerably reduced, and it is just as easy and economical to upgrade luminaires from conventional incandescent lamps to modern energy-saving lamps.

A good all-rounder: **DULUXTRONIC® DT-FC 1x22/230-240**

The latest addition to the **DULUXTRONIC®** family has been specially developed for space-saving operation of the **FC® 22 W** circular fluorescent lamp from OSRAM. High-intensity **FC®** fluorescent lamps are the "all-round" answer for luminaires with unusual designs and optimum efficiency. The innovative **FC®** system offers 50% more light than previous circular lamps and a greatly reduced shading in the luminaire thanks to the small tube diameter (16 mm).

NEW

*In conjunction with the circular OSRAM FC® fluorescent lamp (22 W), **DULUXTRONIC® DT-FC 1x22/230-240** enables extremely compact recessed downlights to be designed.*

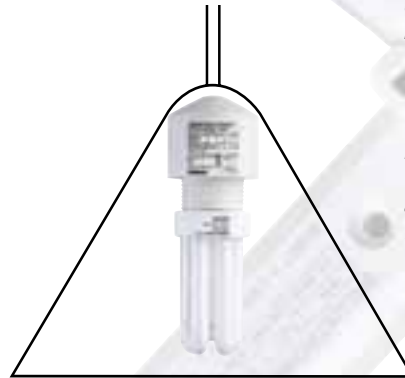


In great shape: 7 x DULUXTRONIC®

NEW



DULUXTRONIC® Version FC
The "all-round" solution specifically for the innovative FC® 22 W fluorescent lamp from OSRAM. This new unit enables extremely compact recessed downlights and other unconventional high-intensity circular luminaires to be designed.



DULUXTRONIC® Version P
The perfect cylindrical unit with a conical end for pendant and floor-standing luminaires.

DULUXTRONIC® – the major benefits at a glance

Simple wiring

- Only a mains connection is required; there is no need for wiring between the ECG and the lampholder
- Five of the seven DULUXTRONIC® versions have integrated cable clamp

Greater lighting comfort

- Flicker-free starting
- Flicker-free light
- Silent operation
- No flickering of the lamp at the end of its life thanks to automatic shutdown

Greater economy

- Much longer lamp life thanks to gentle electronic operation
- Low power loss for further energy savings

Greater safety and reliability

- Suitable for emergency lighting
- No adverse effect from frequent on/off switching thanks to optimised preheat start
- Around 80% lower thermal output compared with ordinary light bulbs



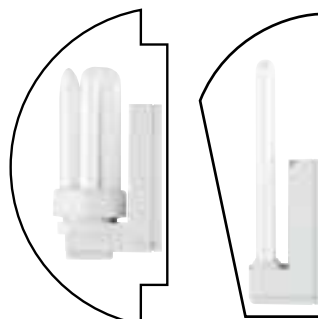
DULUXTRONIC® Version C
The cylindrical unit for slim spotlights – also suitable for downlights.



DULUXTRONIC® Version S
The super-compact unit for low-profile wall and ceiling luminaires and also for emergency lighting and illuminated signs.

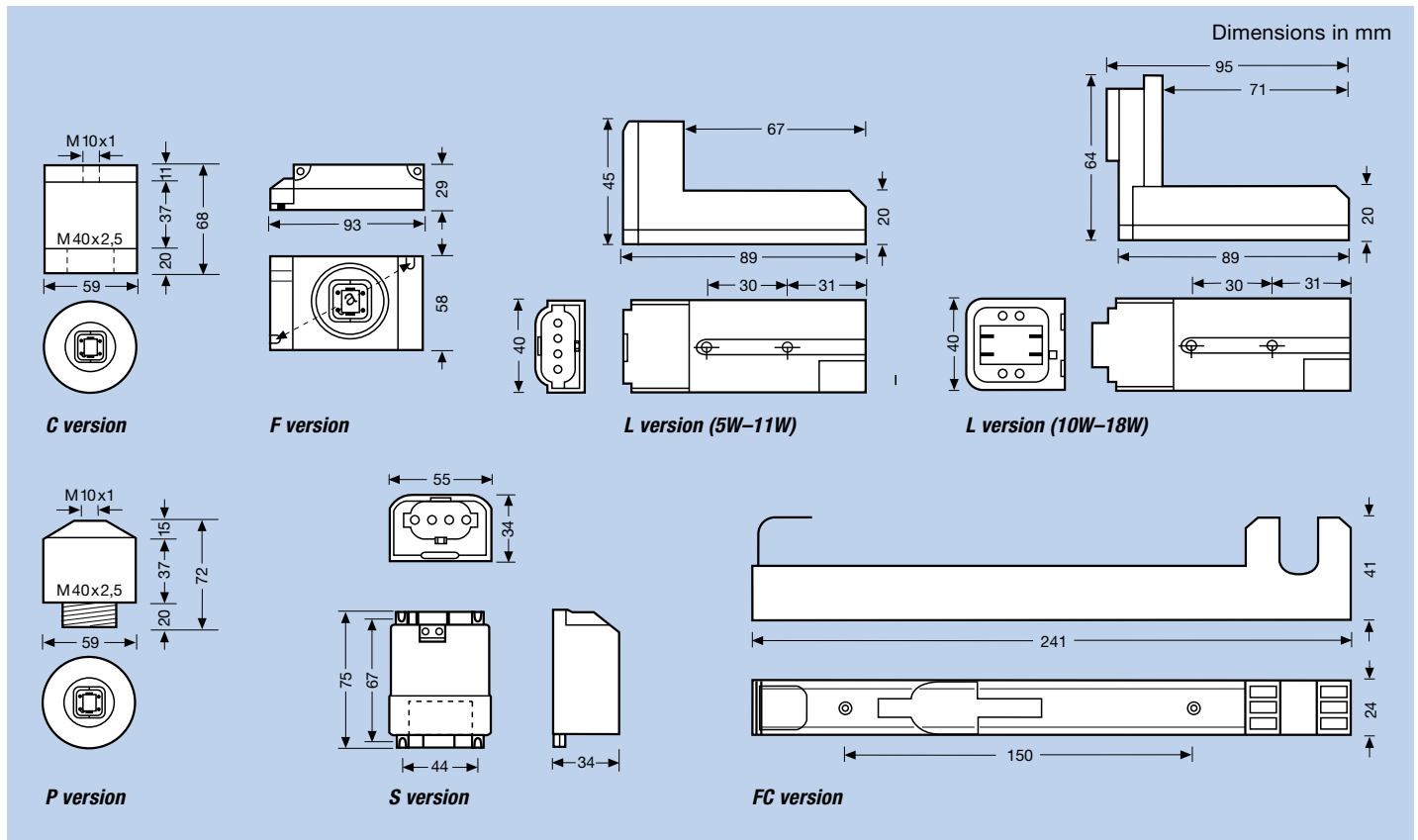


DULUXTRONIC® Version F
The super low-profile unit for spotlights and downlights. DULUXTRONIC® F enables extremely short recessed downlights to be designed, particularly in conjunction with the new OSRAM DULUX® T/E 13 W compact fluorescent lamp which is no bigger than an ordinary light bulb.



DULUXTRONIC® Version L
The L unit has the lampholder mounted in front to reduce the overall depth. Ideal for compact wall and ceiling luminaires and also for emergency lighting and illuminated signs (available in two models).

Technical data



Reference	DT-S/E 5-11/230-240 L				DT-D/E 10-13/230-240 C		DT-T/E 18/230-240 C		DT-FC 1x22/230-240	
Order no. (EAN)	4050300406374				4050300421452		4050300421391		4050300605982	
Reference	DT-S/E 5-11/230-240 S				DT-D/E 10-13/230-240 F		DT-T/E 18/230-240 F			
Order no. (EAN)	4050300436869				4050300432229		4050300432243			
Reference					DT-D/E 10-13/230-240 L		DT-T/E 18/230-240 L ¹⁾			
Order no. (EAN)					4050300406398		4050300406411			
Reference					DT-D/E 10-13/230-240 P		DT-T/E 18/230-240 P			
Order no. (EAN)					4050300421414		4050300421438			
for lamp	OSRAM DULUX S/E				OSRAM DULUX D/E, T/E		OSRAM DULUX D/E, T/E		FC [®] lamp	
	5W	7W	9W	11W	10W	13W	18W	22W	23W	
System wattage	6.7W	8.5W	9.5W	12.5W	11W	15W	20W	1650 lm		
Luminous flux	250 lm	400 lm	600 lm	850 lm	600 lm	900 lm	1200 lm	1650 lm		
Mains current	37 mA	44 mA	48 mA	63 mA	60 mA	70 mA	100 mA	170 mA		
Supply voltage	230-240V				230-240V		230-240V		230-240V	
Permissible voltage range AC	198V to 254V				198V to 254V		198V to 254V		198V to 254V	
Permissible voltage range DC	176V to 254V				176V to 254V		176V to 254V		176V to 254V	
Lamp start	Warm start within 2 s				Warm start within 2 s		Warm start within 2 s		Warm start within 1.5 s	
Mains frequency	0/50-60Hz				0/50-60Hz		0/50-60Hz		0/50-60Hz	
Operating frequency	approx. 40kHz				approx. 40kHz		approx. 40kHz		40-45kHz	
Power factor	0.85-0.9				0.85-0.9		0.85-0.9		0.6	
Approval marks										
Ambient temperature range	-20°C to +50°C				-20°C to +50°C		-20°C to +50°C		-20°C to +50°C	

Note: DULUXTRONIC[®] units are suitable only for luminaires with a maximum connected load of 25 W. For luminaires of protection classes I and II. The battery voltage may drop to 176 V. The lamps must be ignited at over 198 V however. For tender documents see OSRAM Lighting Programme

1) DT-T/E 18/230-240 L is not approved for use in ceiling luminaires unless additional equipment is installed (such as a heat-dissipating reflector) because of the heat rising from the lamp. The maximum temperature of 70°C must not be exceeded.

